








-  Tillage
-  Haulage
-  Landscaping
-  Seeding & Plantation
-  Crop Protection
-  Harvest
-  Post Harvest

Solutions...



05-07-2019

FIELDKING
USA

**Wheeled Disc
Ultra Series**



FIELDKING USA, INC.

960 Holmdel Road Suite 2-02, Holmdel, NJ 07733, USA

✉ usa@fieldking.com, www.fieldkingusa.com

➤ [Operator Manual](#) ➤ [Service Manual](#) ➤ [Part Catalogue](#)

CONGRATULATIONS!

You have invested in one of the best implements of its type in the market today.

The care you give your "FIELDKING USA" implement will greatly determine your satisfaction with its performance and its service life. A careful study of this manual will give you a thorough understanding of your new implement before operating.

If your manual is lost or destroyed, "FIELDKING USA" will be glad to provide you a new copy. Visit to nearest dealership & get a copy. Most of our manuals can also be downloaded from our website at www.fieldkingusa.com.

As an authorized "FIELDKING USA" dealer, we stock genuine "FIELDKING USA" parts which are manufactured with the same precision and skill as our original equipment. Our trained service persons are well informed on methods required to service "FIELDKING USA" equipments and are ready to help you.

Should you require additional information or assistance, please contact us.

YOUR AUTHORIZED

FIELDKING USA DEALER

BECAUSE "FIELDKING USA" MAINTAINS AN ONGOING PROGRAMME OF PRODUCT IMPROVEMENT, WE RESERVE THE RIGHT TO MAKE IMPROVEMENTS IN DESIGN OR CHANGE IN SPECIFICATION WITHOUT INCURRING ANY OBLIGATION TO INSTALL THEM ON UNITS PREVIOUSLY SOLD. BECAUSE OF THE POSSIBILITY THAT SOME PHOTOGRAPHS IN THIS MANUAL WERE TAKEN OF PROTOTYPE MODELS, PRODUCTION MODELS MAY VARY IN SOME DETAIL. IN ADDITION, SOME PHOTOGRAPHS MAY SHOW SHIELDS REMOVED FOR THE PURPOSE OF CLARITY. NEVER OPERATE THIS IMPLEMENT WITHOUT ALL SHIELDS IN PLACE.

TO THE PURCHASER

This manual contains valuable information about your new “FIELDKING USA” Wheeled Disc Ultra Series. It has been carefully prepared to give you helpful suggestions for operating, adjusting, servicing and ordering spare parts.

Keep this manual in a convenient place for quick and easy reference. Study it carefully. You have purchased a dependable and sturdy Wheeled Disc Ultra Series but only by proper care and operation you can expect to receive the service and long life designed and built into it.

Sometime in the future your Wheeled Disc Ultra Series may need new parts to replace which are worn out or broken. If so, go to your dealer and provide him equipment’s detail like model and part number.

CUSTOMER INFORMATION

Name _____

Purchased From _____

Date of Purchase _____

Model No. _____

Serial No. _____

PURCHASER / OPERATOR'S RESPONSIBILITY

1. Read and understand the information contained in this manual.
2. Operate, lubricate, assemble and maintain the equipment in accordance with all instructions and safety procedures in this manual.
3. Inspect the equipment and replace or repair any parts that are damaged or worn out which under continued operation would cause damage, wear to other parts, or cause a safety hazard.
4. Return the equipment or parts to the authorized “FIELDKING USA” dealer, from where it was purchased, for service or replacement of defective parts that are covered by warranty. (The “FIELDKING USA” Factory may inspect equipment or parts before warranty claims are honored.)
5. All costs incurred by the dealer for traveling to or transporting the equipment for warranty inspection and claims will be borne by the customer.

1. TECHNICAL DATA

- 1.1 Introduction
- 1.2 Warranty
- 1.3 When the warranty becomes void
- 1.4 Warning

2. USAGE INSTRUCTIONS

- 2.1 Before use & adjustments.
- 2.2 Attaching harrow to the tractor
- 2.3 Warning for driver
- 2.4 Safety

3. MAINTENANCE

- 3.1 Maintenance Instructions
- 3.2 Storage of machine after work
- 3.3 Lubrication
- 3.4 Instruction for driver

4. OPERATIONAL GUIDELINES FOR HYDRAULIC HARROW.

1. TECHNICAL DATA

1.1 INTRODUCTION

This handbook contains the use and maintenance instructions with a list of the spare parts of the Wheeled Disc Ultra Series.

This disc harrow is equipped with heavy-duty box frame specially designed for harrowing / land preparation of rough soil (Secondary finer operation).

Regular and satisfactory operation together with economic and long lasting use of the implement depends on the compliance with instructions given in this handbook.

Compliance with the instructions in this handbook is also important since manufacturer declines all and every responsibility for damage to persons or property caused by negligence and failure to comply with these instructions.

1.2 WARRANTY

When the machine is delivered, check that it has not been subjected to damage during transport and that the accessories are in a perfect condition and complete.

Any claims following the receipt of damaged goods shall be presented in writing within 8 days from the receipt of the goods.

The purchaser may only make the claims under warranty when he has complied with the warranty conditions in the supply contract.

1.3 WHEN THE WARRANTY BECOMES VOID

Besides the cases specified in the supply agreement, the warranty shall in any case become void:

1. When the implement has been used beyond the specified power limit like (Tractor horse power).
2. When repairs made by the customer without authorization from the manufacturer or owing to installation of spurious spare parts, the machine is subjected to variations and the damage can be ascribed to these variations.
3. When the user has failed to comply with the instructions in this handbook.
4. If the implement is used in very hard/stony soil, no warranty of discs will be given.
5. No warranty will be given if the service and greasing is not done on time.

1.4 WARNING

1. Thoroughly read the instruction manual before proceeding with the various operations.
2. Maintain the harrow as per the instructions of this handbook to be entitled for warranty.

2. USAGE INSTRUCTIONS

2.1 BEFORE USE & ADJUSTMENTS

1. Before mounting of disc harrow make sure that all nuts & bolts are properly secured.
2. Also determine soil and trash conditions of the field and make the preliminary adjustments. e.g.

a) Disc gang angle adjustment

Angle between two gangs is 34°. The angle can be increased for better penetration in dry soil while it should be reduced to avoid clogging in wet soil.

b) Disc harrow leveling

To eliminate uneven penetration and side draft, leveling is done by means of drawbar adjustment. While tractor pulls to right the rear gang should be lowered a little. When the tractor pulls to the left the rear gang should be raised.

c) Scraper adjustment

The scraper can be adjusted by loosening the bolts at the scraper clamp.

d) Depth control

The depth at which the implement is required to work is controlled hydraulically by raising or lowering the control lever on the tractor.

e) Disc harrow penetration

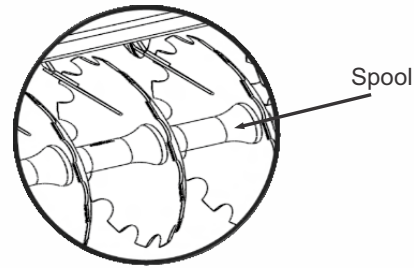
Factors affecting disc harrow penetration are

1. Angle of the gang
2. Weight of the harrow
3. Disc diameter
4. Disc sharpness
5. Blunt disc increases the draft considerably, check the disc sharpness
6. Angle of hitch

f) Extra Features in Wheeled Disc Ultra Series

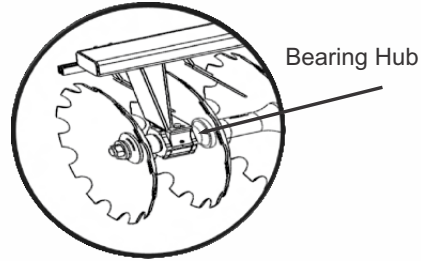
1. BIG SPOOL

Big spools are meant to increase disc to disc space which enhance the width of cut and hence large area of soil preparation.



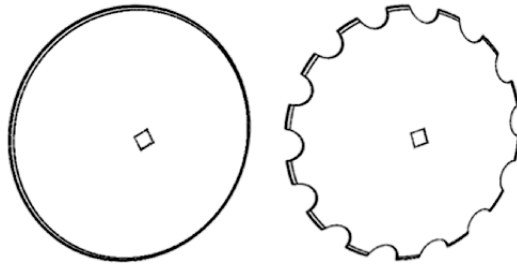
2. LARGE BEARING HUB

Large bearing hub with spool & cap give better durability.



3. Large gang with extra large width of Cut.

4. Large Disc.



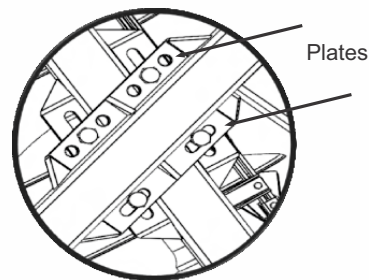
5. Heavy Duty Main Frame.

6. Square Axle for tyre for better strength.

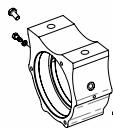
7. Large Axle with wider gang.

8. Heavy duty Crumbler.

9. Inner & Outer plates for better strength in frame gripping.



10. Greasing nipple position during operation should be as shown in figure.



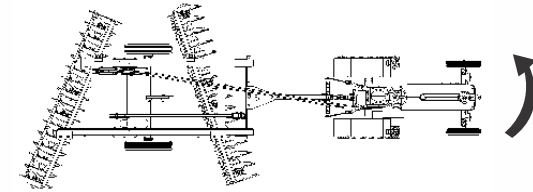
IMPORTANT NOTE : TO AVOID FROM DUST & MUD THIS GREASE NIPPLE DIRECTION SHOULD BE IN REAR SIDE OF BOTH FRONT AND REAR GANG DURING FIELD OPERATION

2.2 ATTACHING THE HARROW TO THE TRACTOR

1. Place the harrow duly levelled on the flat piece of land.
2. Reverse the tractor to the harrow (Do not drag the harrow up the tractor).
3. Attach the hook of harrow securely to the towing tractor using drawbar pin.
4. Connect cleaned hydraulic couplers (Q.R.C value) of harrow to tractor.

a) MANEUVER DIRECTION

Never maneuver to the right hand side, because the angle formed by the disc angle, transmits enormous load to the implement, straining the pulling components i.e. offset bar, drawbar etc.



2.3 WARNING FOR THE DRIVER

1. Before harrowing check all nuts & bolts of the disc harrow.
2. Be vigilant about the tree roots and stones. Don't harrow on stony soil.
3. Tractor should be in first high or fourth low gear.
4. Don't allow anyone to come across the harrow.
5. Before lifting the Wheeled Disc Ultra Series check the hydraulic couplers (Q.R.C value) & pressure flow properly.
6. Lift the Wheeled Disc Ultra Series with the help of hydraulic pressure before approaching the road.

2.4 SAFETY

Understanding the Machine Safety Labels



Safety-Alert Symbol

The machine safety labels shown in this section are placed in important areas on your machine to draw attention to potential safety hazards

On your machine the words DANGER, WARNING, and CAUTION are used with this safety-alert symbol. DANGER identifies the most serious hazards.

The operator's manual also explains any potential safety hazards whenever necessary.

Before harrowing with disc harrow take care that nobody stands near it.



In order to protect yourself always wear adequate clothes and shoes during the operations.



Never use your hands to check hydraulic leaks. Escaping hydraulic oil under pressure may have sufficient force to penetrate the skin causing injury.



Never allow riders on the tractor or implement unless an additional seat is available.



Be careful when moving around steep gradient to avoid sharp turn.



Never transport the implement on rough roads during the night. When operating, avoid sharp turns that may cause tractor colliding with the implement.

Safety-Alert Symbol

Before harrowing with disc harrow take care that nobody stands near it

3. MAINTENANCE

3.1 MAINTENANCE INSTRUCTIONS

If you work the Wheeled Disc Ultra Series on stony land then maintenance also increases.

1. If the soil has entered the grease nipple, then change the nipple.
2. If disc harrow is new, tighten all nuts & bolts after initial working of first two hours.
3. After every fifty hours grease all greasing points with grease gun and tighten all nuts & bolts.
4. After fifty hours, open the bearing hub/bearing spool of Wheeled Disc Ultra Series & cleanse with diesel oil & pump in new grease.
5. Check hydraulic cylinder oil leakage occasionally.

3.2 STORAGE OF MACHINE AFTER WORK

1. Wash the Wheeled Disc Ultra Series after work.
2. Replace the worn out nuts & bolts.
3. If Wheeled Disc Ultra Series has to remain unused for long time then clean it & apply a layer of rust preventive application on exposed area.

These steps will enhance the life of your disc harrow.

3.3 LUBRICATION

1. Please take care that the high quality grease is used in the greasing points.
2. Please take care that the high quality hydraulic oil is used in the hydraulic cylinder.
Be careful with the environment. Do not spill combustible oil, battery and filter residues in the soil. These trashes in contact with the soil reach sub layer which directly damage the environment. Look for the information to recycle or re-use them.

3.4 INSTRUCTIONS FOR DRIVER

1. In case of scraper touching the discs, loosen the scraper bolt and readjust the scraper.
2. Never reverse the tractor when the harrow is engaged in the soil.
3. Never turn the tractor to the right or left when the harrow is engaged in the soil.
4. Properly fit the drawbar hook duly locked with lynch pin.
5. To get good results from the harrow, disc should be replaced when its diameter is reduced by 5" from its original size.
6. When Wheeled Disc Ultra Series is ready for use don't stand between harrow & the tractor.

4. OPERATIONAL GUIDELINES FOR HARROW

1. Adding of wheel weights/water ballasting or combination of both is recommended when excessive rear wheel slippage is experienced.
2. Adjust internal /external check chains to obtain implement swing range within 2" when raised.
3. Always maintain the correct tyre pressure to avoid wheel slippage.
4. Always set hydraulic levers correctly for draft and position control operation.

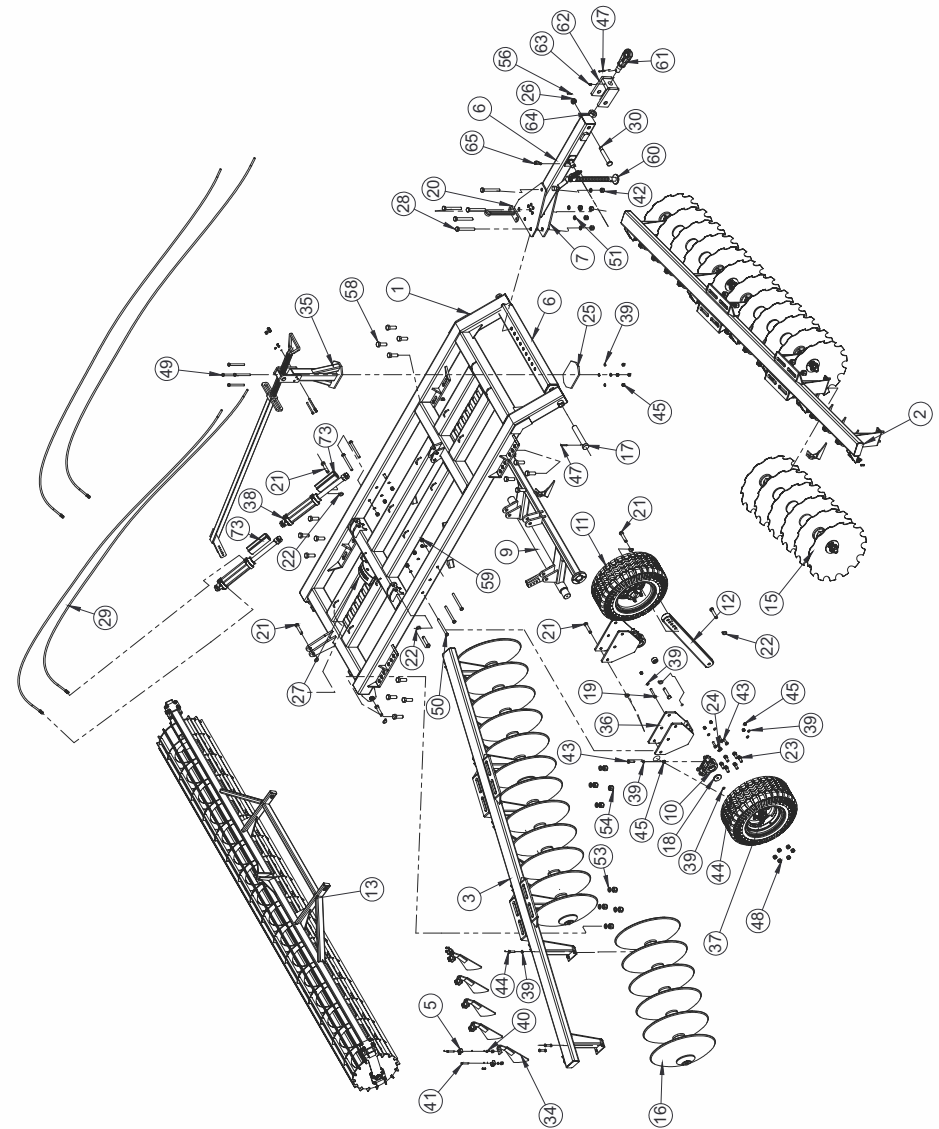
The following settings are necessary to ensure that uniform working depth is maintained.

Precautions during transportation

1. When transporting lift the harrow on tyres.
2. Set hydraulic levers in top raised position and lock levers.
3. Maintain the speed to avoid jumps.
4. Watch while overtaking on road.
5. Always use SMV (Slow Moving Vehicles) symbols.

WHEELED DISC ULTRA SERIES (12x12 TO 18x18)

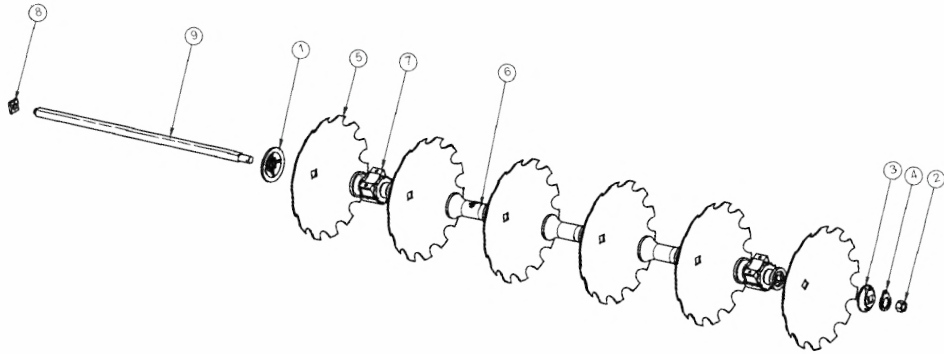
S.NO.	DESCRIPTION	PART NO.				QTY.			
		12x12	14x14	16x16	18x18	12x12	14x14	16x16	18x18
1	MAIN FRAME ASSEMBLY	79580006	79580006	79580001	79580001	1			
2	FRONT GANG BOX ASSEMBLY	77850039	77850035	77850020	77850016	1			
3	REAR GANG BOX ASSEMBLY	77850040	77850036	77850021	77850017	1			
4	SCRAPER HOLDING ASSEMBLY	77890004	77890005 77890006	74860017 77890004	77890004	4	4	2	6
5	SCRAPER HOLDING CLAMP		77840003			30	34	38	46
6	CENTER LINK PIPE ASSEMBLY		74440006			1			
7	DRAWBAR JOINT PLATE		74450009			2			
8	DRAW BAR ASSEMBLY		74450009			1			
9	TYRE SYSTEM ASSEMBLY	74490011		74490020		1			
10	AXLE HUB		10090035			2			
11	TYRE ASSEMBLY (TUBELESS TYRE 400/60-15.5, RIM 13x15.5)		11030026			2			
12	TYRE SYSTEM LOCKING PIPE ASSEMBLY		75580006			1			
13	CRUMBLER ASSEMBLY	79740026	79740001	79740036	79740037	1			
14	HYDRAULIC CYLINDER SMALL (1 TON)	10450015	10450015	10450015	10450015	1			
15	FRONT GANG ASSEMBLY	77850033	77850031 77850033	77850018 77850031	77850018	3	2	1	3
16	REAR GANG ASSEMBLY	77850034	77850032 77850034	77850019 77850032	77850019	3	2	1	3
17	PIN 50x280		10020053			2			
18	CENTER SUPPORT HUB AXLE LOCK PLATE		74530004			2			
19	HEX HEAD BOLT 16x105x2MM (8.8 GRADE)		10260134			1			
20	HOSE PIPE STAND ASSEMBLY HYDRAULIC HARROW		74570001			1			
21	PIN Ø25X120L		10020035			8			10
22	LINCH PIN M10		10020022			8			10
23	HUB BOLT 22x11G 5/8 x 75MM (L)		10260047			12			
24	GREASE NIPPLE M10x10x1.5 P		10300089			2			
25	BASE PLATE SPRING ATTACHMENT		79220015			1			
26	CASTLE NUT M30X3.5P		10280082			1			
27	WEIGHT (32KG)		01050022			16			
28	HEX. HEAD BOLT M25x2.5Px200L		10260127			5			
29	HOSE PIPE ASSEMBLY (WITH/WITHOUT CRUMBLER)	74600006 / 74600008	74600009 / 74600007			1			
30	PIN 35x227 MM		10020127			1			
31	GREASE NIPPLE M10x1.5Px15L		10300005			1			
32	FRONT SCRAPER ASSEMBLY		77900001			9	11	13	15
33	HOOK ASSY.		79480018			1			
34	REAR SCRAPER ASSEMBLY		77900002			9	11	13	15
35	DEPTH ADJUSTMENT SQ. PIPE ASSEMBLY		79520001			1			
36	AXLE HUB MOUNTING ASSEMBLY		77860001			2			
37	TYRE BEARING HUB HYDRAULIC HARROW		10090019			2			
38	HYDRAULIC CYLINDER ASSY(3 TON CAPACITY)		10450012			1	1	2	2
39	SPRING WASHER M 16		10270005			55			
40	SPRING WASHER M 12		10270003			35	39	43	51
41	HEX HEAD BOLT 12X75X1.75MM (10.9 GRADE)		10260277			35	39	43	51
42	NYLOCK NUT 25MM		10280008			5			
43	HEX BOLT M16 x 65 x 2P		10260378			17			
44	HEX. BOLT M16x50X2P		10260016			26			
45	NYLOCK NUT M16x2P		10280005			45			
46	NYLOCK NUT M12x1.75		10280003			35	39	43	51
47	SPRING PIN 10 x 75		10020082			2			
48	HUB NUT 22X11G 5/8 (PREVAILING TORQUE NUT)		10280061			12			
49	HEX HEAD BOLT M16 x 200X2P		10260480			4			
50	HEX HEAD BOLT M20X225X2.5MM (8.8 GRADE)		10260414			6			
51	SPRING WASHER M25		10270007			5			
52	SPRING WASHER 20MM		10270016			6			
53	SPRING WASHER 30MM		10270049			16			
54	NYLOCK NUT M30X3.5		10280115			16			
56	SPLIT PIN 4MMX40MM(L)		10020078			1			
58	HEX HEAD BOLT M30x90L		10260470			16			
59	NYLOCK NUT M20X2.5MM		10280021			6			
60	PARKING STAND ASSEMBLY		75890002			1			
61	HOOK ASSEMBLY		79480018			1			
62	HOOK BRACKET ASSEMBLY		74450013			1			
63	GREASE NIPPLE		10300005			1			
64	HEX NUT FOR HOOK		10280270			1			
65	SPRING PIN 10 x 65		10210028			1			
66	CYLINDER STROKE CONTROL SEGMENTS		10301131/10301204			1 SET			



Wheel Disc Ultra Series

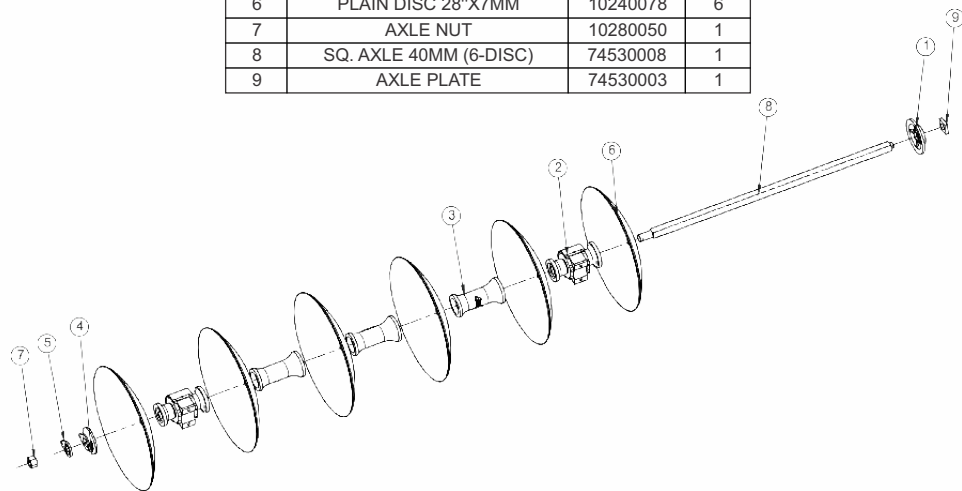
FRONT GANG ASSEMBLY WITH NOTCHED DISC

S. NO.	DESCRIPTION	PART NO.	QTY.
1	BIG CHAPPEN	10360006	1
2	AXLE NUT	10280050	1
3	SMALL CHAPPEN	10360007	1
4	GANG LOCK PLATE	74830003	1
5	NOTCHED DISC 28X7T	10240079	6
6	PLAIN SPOOL ULTRA SERIES	10340026	3
7	BEARING HUB ASSEMBLY	74520002	2
8	AXLE PLATE	74530003	1
9	SQ. AXLE 40MM (6-DISC)	74530008	1



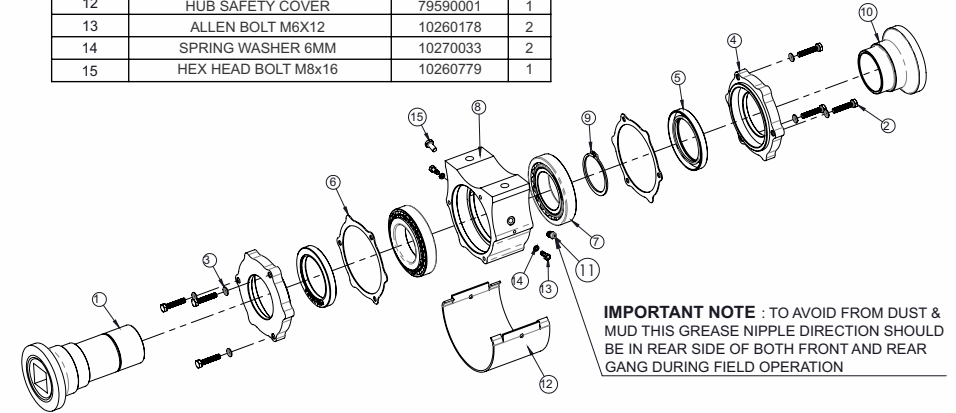
REAR GANG ASSEMBLY WITH PLAIN DISC

S. NO.	DESCRIPTION	PART NO.	QTY.
1	BIG CHAPPEN	10360006	1
2	BEARING HUB ASSEMBLY	74520002	2
3	PLAIN SPOOL ULTRA SERIES	103400026	3
4	SMALL CHAPPEN	10360007	1
5	GANG LOCK PLATE	74830003	1
6	PLAIN DISC 28"X7MM	10240078	6
7	AXLE NUT	10280050	1
8	SQ. AXLE 40MM (6-DISC)	74530008	1
9	AXLE PLATE	74530003	1



BEARING HUB ASSEMBLY

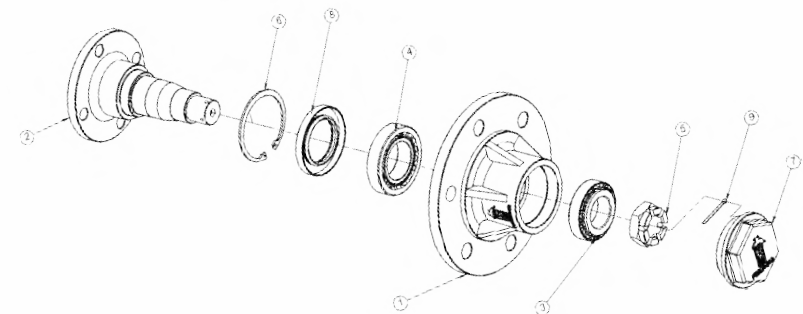
ITEM NO.	DESCRIPTION	PART NO.	QTY.
1	BEARING SPOOL SQ. 41MM	10180038	1
2	HEX BOLT M8X1.25X40L	10260373	2
3	SPRING WASHER 8MM	10270001	1
4	BEARING HUB COVER	10150016	1
5	OIL SEAL 80X110X13T	10010020	2
6	BEARING HUB GASKET	10040048	2
7	BEARING-30214	10050040	2
8	BEARING HUB	10090031	1
9	CIRCLIP EXTERNAL 70A	10390012	1
10	BEARING SPOOL CAP SQ. 41MM	10180037	1
11	GREASE NIPPLE 10MM	10300089	1
12	HUB SAFETY COVER	79590001	1
13	ALLEN BOLT M6X12	10260178	2
14	SPRING WASHER 6MM	10270033	2
15	HEX HEAD BOLT M8x16	10260779	1



IMPORTANT NOTE : TO AVOID FROM DUST & MUD THIS GREASE NIPPLE DIRECTION SHOULD BE IN REAR SIDE OF BOTH FRONT AND REAR GANG DURING FIELD OPERATION

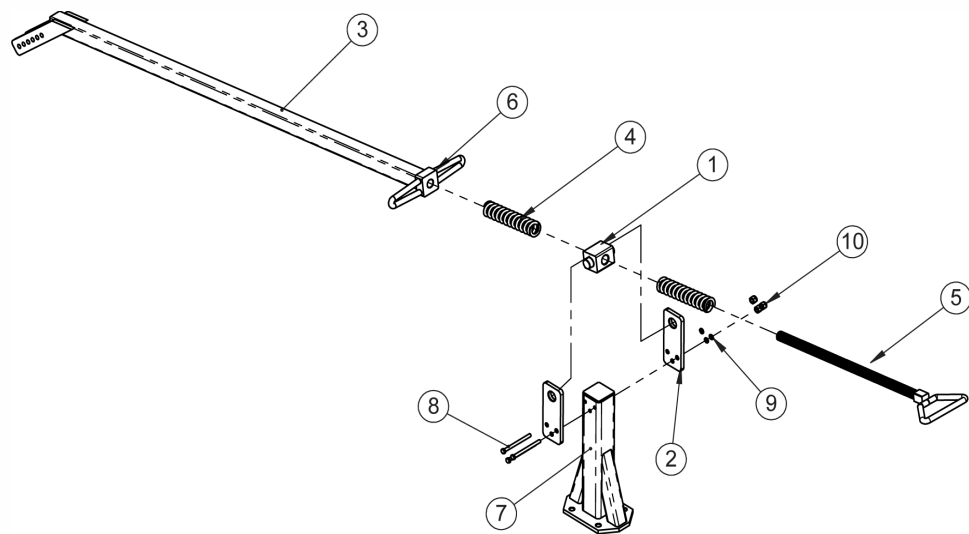
TYRE BEARING HUB ASSEMBLY

S.NO.	PART NAME	PART NUMBER	QTY.
1	TYRE BEARING HUB	10090019	1
2	TYRE AXLE SHAFT	10290041	1
3	BEARING 32209	10050013	1
4	BEARING 32211	10050009	1
5	CASTLE NUT M36X2P	100280071	1
6	INTERNAL CIRCLIP B100 4 MM THK.	10390007	1
7	TYRE BEARING HUB CAP	10180020	1
8	OIL SEAL 65X100X12	10010027	1
9	SPLIT PIN 4MMX55MM (L)	10020054	1



DEPTH ADJUSTMENT SQ. PIPE ASSEMBLY

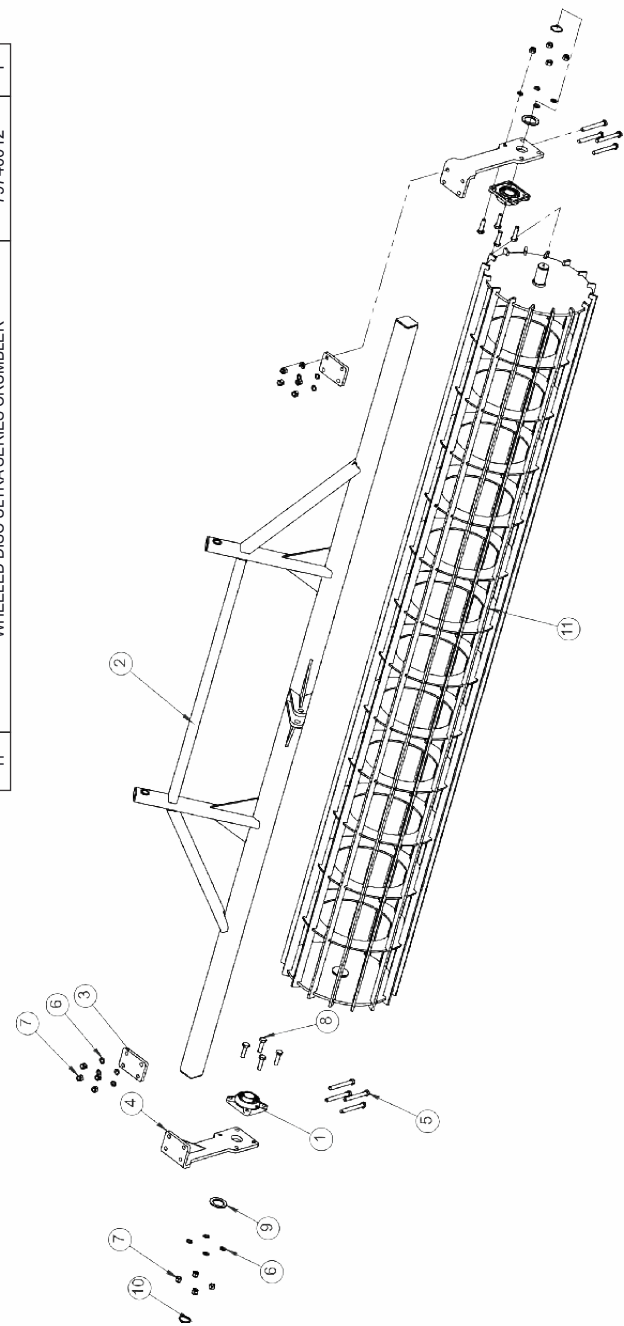
S.NO.	PART NAME	PART NO.	QTY.
1	THREADED ROD BUSH	79220006	1
2	SPRING MOUNTING FLAT	79220005	2
3	SPRING MOUNTING PIPE ASSEMBLY	79220019	1
4	SPRING 12MM WD, 62MM OD, 13 COILS	10210025	2
5	THREADED ROD ASSEMBLY	79220022	1
6	NUT M36x3P	79220009	1
7	COIL SPRING BRACKET ASSY.(ULTRA SERIES)	79220024	1
8	HEX HEAD BOLT M12x1.75x150L	10260465	3
9	SPRING WASHER 12MM	10270003	3
10	NYLOCK NUT M12x1.75	10280025	3



11

CRUMBLER ASSEMBLY

S. NO.	PART NAME	PART No.	QTY.
1	UCF 2/10 BEARING	10050143	2
2	CRUMBLER SUPPORT PIPE ASSEMBLY	79740010	1
3	CRUMBLER HOLDING PLATE	79740011	2
4	CRUMBLER SIDE PLATE ASSEMBLY ULTRA SERIES	79740018	2
5	HEX HEAD BOLT M16x140x2P (8.8G)	10260388	8
6	SPRING WASHER (16 MM)	10270005	16
7	NYLOCK NUT M16X2P	10280005	16
8	HEX HEAD BOLT M16x60x2P	10260380	8
9	STOPPER RING	10460004	2
10	CIRCLIP A60 (3MM)	10390010	2
11	WHEELED DISC ULTRA SERIES CRUMBLER	79740012	1



12

DELIVERY CHECKLIST

<p style="text-align: center;">Dealer Pre-Delivery (Please Tick)</p>	<p style="text-align: center;">Please Complete all Dealer information Below</p>
<p>1. Dealer Pre-Delivery Checklist</p> <ol style="list-style-type: none"> 1. The customer or person responsible has been given the operator's manual. 2. The customer undertakes to read the complete operator's manual and understands all aspects of the manual before operation of the machine. 3. All safety, operational and maintenance information have been explained and demonstrated. 4. All greasing and oil points, stickers, guarding and ID plate have been identified and physically pointed out. 5. The customer agrees that it is his responsibility to read and carry out the safety, maintenance and operation as per this operator's manual. 	<p>Dealer Information</p> <p>Dealer's Name.....</p> <p>Address.....</p> <p>State..... Postcode.....</p> <p>Phone..... Fax.....</p> <p>Email.....</p> <p>Service Person.....</p> <p>I confirm that the pre-delivery service was performed on this machine.</p> <p>Signature.....</p> <p>Date.....</p> <p>Comments.....</p>
<p style="text-align: center;">Customer Delivery (Please Tick)</p>	<p style="text-align: center;">Please Complete all Customer Information Below</p>
<p>2. Customer Delivery Checklist</p> <ol style="list-style-type: none"> 1. The customer or person responsible has been given the operator's manual. 2. The customer undertakes to read the complete operator's manual and understands all aspects of the manual before operation of the machine. 3. All safety, operational and maintenance information have been explained and demonstrated. 4. All greasing and oil points, stickers, guarding and ID plate have been identified and physically pointed out. 5. The customer agrees that it is his responsibility to read and carry out the safety, maintenance and operation as per this operator's manual. 	<p>Customer Information</p> <p>Customer's Name.....</p> <p>Address.....</p> <p>State..... Postcode.....</p> <p>Phone..... Fax.....</p> <p>Email.....</p> <p>Delivery Person.....</p> <p>I confirm that all of the delivery checks were explained and performed.</p> <p>Signature.....</p> <p>Delivery Date.....</p> <p>Comments.....</p>



WARRANTY CARD Customer Copy

CUSTOMER NAME Mr./ Mrs : _____

ADDRESS : _____

MOBILE NO. : _____

Email : _____

NAME OF IMPLEMENT : _____

MODEL NO. : _____

YEAR OF Mfg. : _____

SERIAL NO. : _____

REGISTRATION NO. : _____

DATE OF PURCHASING : _____

NAME OF DEALER : _____

Customer's Signature

Dealer's Signature

FIELDKING USA, INC.

960 Holmdel Road Suite 2-02, Holmdel, NJ 07733, USA

✉ usa@fieldking.com, www.fieldkingusa.com



WARRANTY CARD
Dealer Copy

CUSTOMER NAME Mr./ Mrs :

ADDRESS :

MOBILE NO. :

Email :

NAME OF IMPLEMENT :

MODEL NO. :

YEAR OF Mfg. :

SERIAL NO. :

REGISTRATION NO. :

DATE OF PURCHASING :

NAME OF DEALER :

Customer's Signature

Dealer's Signature

FIELDKING USA, INC.

960 Holmdel Road Suite 2-02, Holmdel, NJ 07733, USA

✉ usa@fieldking.com, 🌐 www.fieldkingusa.com

WARRANTY CARD
Company Copy

CUSTOMER NAME Mr./ Mrs :

ADDRESS :

MOBILE NO. :

Email :

NAME OF IMPLEMENT :

MODEL NO. :

YEAR OF Mfg. :

SERIAL NO. :

REGISTRATION NO. :

DATE OF PURCHASING :

NAME OF DEALER :

Customer's Signature

Dealer's Signature

FIELDKING USA, INC.

960 Holmdel Road Suite 2-02, Holmdel, NJ 07733, USA

✉ usa@fieldking.com,  www.fieldkingusa.com