








-  Tillage
-  Haulage
-  Landscaping
-  Seeding & Plantation
-  Crop Protection
-  Harvest
-  Post Harvest

Solutions...



13-02-2019

FIELDKING

Box Blade Scraper



FIELDKING USA, INC.

960 Holmdel Road Suite 2-02, Holmdel, NJ 07733, USA

✉ usa@fieldking.com, www.fieldkingusa.com

➤ [Operator Manual](#) ➤ [Service Manual](#) ➤ [Part Catalogue](#)

CONGRATULATIONS!

You have invested in one of the best implements of its type in the market today.

The care you give your "FIELDKING USA" implement will greatly determine your satisfaction with its performance and its service life. A careful study of this manual will give you a thorough understanding of your new implement before operating.

If your manual is lost or destroyed, "FIELDKING USA" will be glad to provide you a new copy. Visit to nearest dealership & get a copy. Most of our manuals can also be downloaded from our website at www.fieldkingusa.com.

As an authorized "FIELDKING USA" dealer, we stock genuine "FIELDKING USA" parts which are manufactured with the same precision and skill as our original equipment. Our trained service persons are well informed on methods required to service "FIELDKING USA" equipments and are ready to help you.

Should you require additional information or assistance, please contact us.

YOUR AUTHORIZED

FIELDKING USA DEALER

BECAUSE "FIELDKING USA" MAINTAINS AN ONGOING PROGRAMME OF PRODUCT IMPROVEMENT, WE RESERVE THE RIGHT TO MAKE IMPROVEMENTS IN DESIGN OR CHANGE IN SPECIFICATION WITHOUT INCURRING ANY OBLIGATION TO INSTALL THEM ON UNITS PREVIOUSLY SOLD. BECAUSE OF THE POSSIBILITY THAT SOME PHOTOGRAPHS IN THIS MANUAL WERE TAKEN OF PROTOTYPE MODELS, PRODUCTION MODELS MAY VARY IN SOME DETAIL. IN ADDITION, SOME PHOTOGRAPHS MAY SHOW SHIELDS REMOVED FOR THE PURPOSE OF CLARITY. NEVER OPERATE THIS IMPLEMENT WITHOUT ALL SHIELDS IN PLACE.

TO THE PURCHASER

This manual contains valuable information about your new “FIELDKING USA” Box Blade Scraper. It has been carefully prepared to give you helpful suggestions for operating, adjusting, servicing and ordering spare parts.

Keep this manual in a convenient place for quick and easy reference. Study it carefully. You have purchased a dependable and sturdy Box Blade Scraper but only by proper care and operation you can expect to receive the service and long life designed and built into it.

Sometime in the future your Box Blade Scraper may need new parts to replace which are worn out or broken. If so, go to your dealer and provide him equipment's detail like model and part number.

CUSTOMER INFORMATION

Name _____

Purchased From _____

Date of Purchase _____

Model No. _____

Serial No. _____

PURCHASER / OPERATOR'S RESPONSIBILITY

1. Read and understand the information contained in this manual.
2. Operate, lubricate, assemble and maintain the equipment in accordance with all instructions and safety procedures in this manual.
3. Inspect the equipment and replace or repair any parts that are damaged or worn out which under continued operation would cause damage, wear to other parts, or cause a safety hazard.
4. Return the equipment or parts to the authorized “FIELDKING USA” dealer, from where it was purchased, for service or replacement of defective parts that are covered by warranty. (The “FIELDKING USA” Factory may inspect equipment or parts before warranty claims are honored.)
5. All costs incurred by the dealer for traveling to or transporting the equipment for warranty inspection and claims will be borne by the customer.

1. TECHNICAL DATA

- 1.1 Introduction
- 1.2 Warranty
- 1.3 When the warranty becomes void
- 1.4 Warning signals

2. USAGE INSTRUCTIONS

- 2.1 Before Use
- 2.2 Attaching implement to the tractor

3. TRACTOR PREPARATION

- 3.1 Instructions for tractor preparation
- 3.2 Adjustments
- 3.3 Safety

4. MAINTENANCE

5. INSTRUCTION FOR DRIVER

6. FIGURES AND PART NO. DETAILS

1. TECHNICAL DATA

1.1 INTRODUCTION

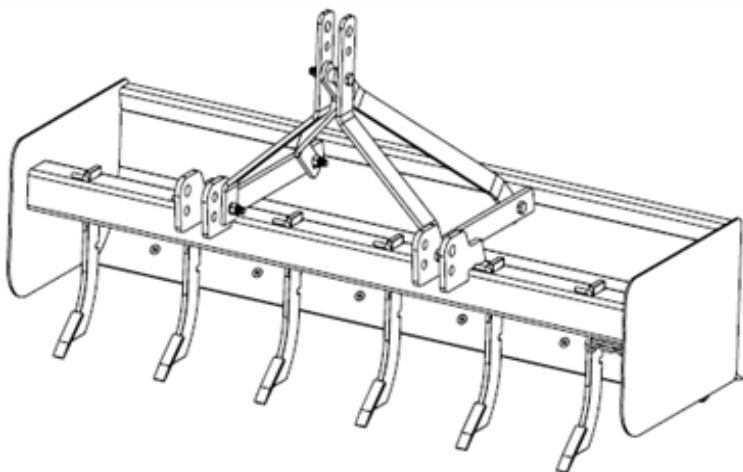
Box Blade Scraper

This Box Blade Scraper is designed with care and built with quality materials by skilled workers. Proper assembly, maintenance and operating practices, as described in this manual, will help the owner/operator get years of satisfactory service from the machine.

The purpose of this manual is to familiarize and instruct. The Assembly Section instructs the owner/operator in the correct assembly of the Blade using standard and optional equipment.

Careful use and timely service saves extensive repairs and costly downtime losses. The Operation and Maintenance Sections of the manual train the owner/operator how to work the Blade correctly and attend to appropriate maintenance. The Trouble Shooting Guide helps diagnose difficulties and offers solution to the problems.

Safety is of primary importance to the owner/operator and to the manufacturer. The first section of this manual includes a list of Safety Messages that, if followed, will help protect the operator and bystanders from injury or death. Many of the Safety Messages will be repeated throughout the manual. The owner/operator/dealer should know these Safety Messages before assembly and be aware of the hazards of operating this blade during assembly, use, and maintenance. The Safety Alert Symbol combined with a Signal Word, as seen below, is intended to warn the owner/operator of impending hazards and the degree of possible injury faced when operating this machine. The Box Blade Scraper is available in widths of 4', 5' and 6'.



Box Blade Scraper

1

1.2 WARRANTY

When the machine is delivered, check that it has not been subjected to damage during transport and that the accessories are in a perfect condition and complete.

Any claims following the receipt of damaged goods shall be presented in writing within 8 days from the receipt of the goods.

The purchaser may only make the claims under guarantee when he has complied with the warranty conditions in the supply contract.

1.3 WHEN THE WARRANTY BECOMES VOID

Besides the cases specified in the supply agreement, the guarantee shall in any case become void:

1. When the implement has been used beyond the specified power limit like (Tractor Horse Power)
2. When repairs made by the customer without authorization from the manufacturer or owing to installation of spurious spare parts, the machine is subjected to variations and the damage can be ascribed to these variations.
3. When the user has failed to comply with the instructions in this handbook.
4. If the implement is used in very hard/stony soil no warranty of blade will be given.

1.4 WARNING SIGNALS

1. Thoroughly read the instruction manual before proceeding with the various operations.
2. Keep maintenance and warranty according to this handbook.

2. USAGE INSTRUCTIONS

2.1 BEFORE USE

• Before mounting of box blade make sure that all nuts & bolts are properly secured. Carefully read the Operator's Manual, completely understand the Safety Messages and instructions, and know how to operate correctly both the tractor and implement. Fill out the Warranty Card in full. Be sure to answer all questions, including the Serial Number of the implement. Mail within 30 days of delivery date of this implement. Record the Blade Model and Serial Numbers on the Warranty page at the front of the Operator's Manual. Keep this as part of the permanent maintenance file for the implement.

2.2 ATTACHING IMPLEMENT TO THE TRACTOR

Refer to figure of complete assembly:

1. Attach 3-point hitch front lever flat (8) & rear lever flat (3) to Box Scraper frame with hex head bolt of M16x65x2 (9), lock washers (6), and hex nuts (7). Do not tighten nuts at this time.
2. Align upper middle holes in front lever flat (8) with holes in rear lever flat (3) as shown. With 2" long spacer (5) positioned in the center, insert hex head bolt of M16x110x2 (4) through front lever flat, rear lever flat, and spacer bush. Secure bolt with lock washer (6) and hex nut (7).
3. When hitch is attached it will form an A-frame. Make sure the A-frame is positioned square to the Box Scraper frame and then tightening assembly hardware to the correct torque.

2

3. TRACTOR PREPARATION

3.1 INSTRUCTION FOR TRACTOR PREPARATION

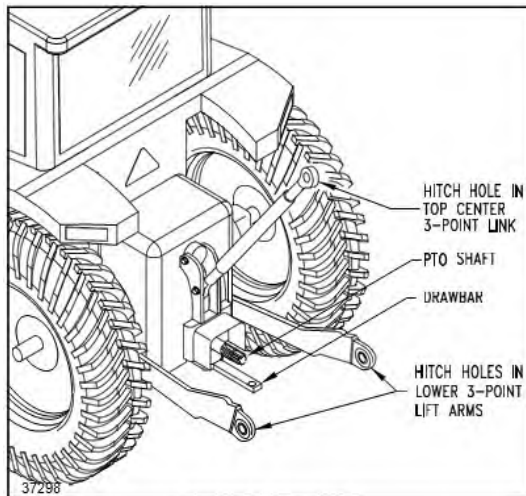
A Crushing Hazard exists when hooking-up equipment to a tractor. Do not allow anyone to stand between tractors and implement while backing-up to implement. Do not operate hydraulic 3-point lift controls while someone is directly behind tractor or near implement.

Always set tractor transmission in park or set park brake, shut tractor engine off, and remove switch key before allowing anyone including the operator to hook-up and to unhook the scraper from a tractor.

Refer to Figure:

A 3-point Category I hitch is required. The lower 3-point arms of the 3-point hitch must be stabilized to prevent side-to-side movement. Most tractors have sway blocks or adjustable chains for this purpose.

1. Slowly back tractor up to the Box Scraper and use tractor's 3-point hydraulic control to align lower hitch link holes with clevis lug holes on the Box Scraper.
2. Engage tractor park brake, shut tractor engine off, and remove key before dismantling from tractor.
3. With tractor's lower hitch arms aligned and positioned in the clevises, attach lower arms to the clevises with hitch pins and secure with lynchpins.
4. Connect top center link to the upper hitch using clevis pin and hairpin cotter.
5. Return to the tractor and slowly operate the tractor's 3-point hydraulic control up and down to check for clearance between the tires, frame, drawbar etc. Move or remove drawbar if it interferes with the Box Scraper.
6. Manually adjust one of the two lower lift arms up or down to level the Box Scraper from left to right.
7. Manually adjust the length of the top-link to level the Box Scraper from front to rear.



Tractor 3-Point Hitch

3.2 ADJUSTMENTS

Make adjustments to the Box Scraper after it has been properly attached to a tractor and secured with solid supports in the up position. Never work around or under equipment supported by hydraulics. Hydraulics can drop equipment instantly if controls are actuated or if hydraulic lines burst even when power to hydraulics is shut off. Always keep your feet and legs out from under the shanks while adjusting them. It is possible for the shanks to fall causing injury to your feet and/or legs.

1. Before installing shanks (11) manually raise front shank tube up to insert shanks from the bottom or attach scraper to a tractor's 3-point hitch and raise unit up with tractor's 3-point lift arms.
2. Securely support scraper in the raised position with support jacks or blocks.
3. With shank tips pointing forward, insert shanks (11) into the bottom slots in shank tube.
4. Push each shank up until the lowest hole in the shank is aligned with lock pin hitch holes.
5. Secure shanks with lock pins (10) and hairpin/R-pin cotters (12).

3.3 SAFETY

A careful operator is the best operator. Safety is of primary importance to the manufacturer and should be to the owner/operator. Most accidents can be avoided by being aware of your equipment, your surroundings, and observing certain precautions. The first section of this manual includes a list of Safety Messages that, if followed, will help protect the operator and bystanders from injury or death. Read and understand these Safety Messages before assembling, operating or servicing this Implement. This equipment should only be operated by those persons who have read the manual, who are responsible and trained, and who know how to do so responsibly.

The Safety Alert Symbol combined with a Signal Word, as seen below, is used throughout this manual and on decals which are attached to the equipment. The Safety Alert Symbol means: "ATTENTION! BECOME ALERT! YOUR SAFETY IS INVOLVED!" The Symbol and Signal Word are intended to warn the owner/operator of impending hazards and the degree of possible injury faced when operating this equipment.

Practice all usual and customary safe working precautions and above all---remember safety is up to you. Only you can prevent serious injury or death from unsafe practices.

! DANGER Indicates an imminently hazardous situation that, if not avoided, WILL result in DEATH OR VERY SERIOUS INJURY.

! WARNING Indicates an imminently hazardous situation that, if not avoided, COULD result in DEATH OR SERIOUS INJURY.

! CAUTION Indicates an imminently hazardous situation that, if not avoided, MAY result in MINOR INJURY.

! IMPORTANT Identifies special instructions or procedures that, if not strictly observed, could result in damage to, or destruction of the machine, attachments or the environment.

NOTE: Identifies points of particular interest for more efficient and convenient operation or repair.



Read, Understand, & follow the following Safety Messages. Serious injury or death may occur unless care is taken to follow the warnings and instructions stated in the Safety Messages. Always use good common sense to avoid hazards.

DANGER Never operate the Tractor or Implement until you have read and completely understand this Manual, the Tractor Operator's Manual, and each of the Safety Messages found in the Manual or on the Tractor and Implement. Learn how to stop the tractor engine suddenly in an emergency. Never allow inexperienced or untrained personnel to operate the Tractor or Implement without supervision. Make sure the operator has fully read and understood the manuals prior to operation.

! **WARNING** always maintains the safety signs in good readable condition. If the safety signs are missing, damaged, or unreadable, obtain and install replacement safety signs immediately.

! **WARNING** Make certain that the "Slow Moving Vehicle" (SMV) sign is installed in such a way as to be clearly visible and legible. When transporting the Equipment use the Tractor flashing warning lights and follow all local traffic regulations.

! **WARNING** Operate this Equipment only with a Tractor equipped with an approved roll-over-protective system (ROPS). Always wear seat belts. Serious injury or even death could result from falling off the tractor--particularly during a turnover when the operator could be pinned under the ROPS.

! **WARNING** Do not modify or alter this Implement. Do not permit anyone to modify or alter this Implement, any of its components or any Implement function.

! **DANGER BEFORE** leaving the tractor seat, always set the parking brake and/or set the tractor transmission in parking gear, stop the engine, remove the key, and wait for all moving parts to stop. Place the tractor shift lever into a low range or parking gear to prevent the tractor from rolling. Never dismount a Tractor that is moving or while the engine is running. Operate the Tractor controls from the tractor seat only.

! **DANGER** Never allow children or other persons to ride on the Tractor or Implement. Falling off can result in serious injury or death.

! **DANGER** Never allow children to operate, ride on, or come close to the Tractor or Implement. Usually, 16-17 year-old children who are mature and responsible can operate the implement with adult supervision, if they have read and understand the Operator's Manuals, been trained in proper operation of the tractor and Implement, and are physically large enough to reach and operate the controls easily.

! **WARNING** Do not mount or dismount the Tractor while the tractor is moving. Mount the Tractor only when the Tractor and all moving parts are completely stopped.

! **DANGER** Start tractor only when properly seated in the Tractor seat. Starting a tractor in gear can result in injury or death. Read the Tractor operators manual for proper starting instructions.

! **DANGER** Never work under the Implement, the framework, or any lifted component unless the Implement is securely supported or blocked up to prevent sudden or inadvertent falling which could cause serious injury or even death.

! **WARNING** The operator and all support personnel should wear hard hats, safety shoes, safety glasses and proper hearing protection at all times for protection from injury including injury from items that may be thrown by the equipment.

! **WARNING** Transport only at speeds where you can maintain control of the equipment. Serious accidents and injuries can result from operating this equipment at high speeds. Understand the Tractor and Implement and how it handles before transporting on streets and highways. Make sure the Tractor steering and brakes are in good condition and operate properly.

Before transporting the Tractor and Implement, determine the proper transport speeds for you and the equipment. Make sure you abide by the following rules:

Test the tractor at a slow speed and increase the speed slowly. Apply the Brakes smoothly to determine the stopping characteristics of the Tractor and Implement. As you increase the speed of the Tractor the stopping distance increases. Determine the maximum transport speed not to exceed 20 mph for transporting this equipment.

Test the equipment at a slow speed in turns. Increase the speed through the turn only after you determine that the equipment can be operated at a higher speed. Use extreme care and reduce your speed when turning sharply to prevent the tractor and implement from turning over. Determine the maximum turning speed for you and this equipment before operating on roads or uneven ground.

Only transport the Tractor and Implement at the speeds which allow you to control properly the equipment.

Be aware of the operating conditions. Do not operate the Tractor with weak or faulty brakes or worn tires. When operating down a hill or on wet or rain slick roads, the braking distance increases: use extreme care and reduce your speed. When operating in traffic always use the Tractor's flashing warning lights and reduce your speed. Be aware of traffic around you and watch out for the other guy.

! **WARNING** Never attempt to lubricate, adjust, or remove material from the Implement while it is in motion or while tractor engine is running.

! **WARNING** Periodically inspect all moving parts for wear and replace when necessary with authorized service parts. Look for loose fasteners, worn or broken parts, and leaky or loose fittings. Make sure all pins have cotter pins and washers. Serious injury may occur from not maintaining this machine in good working order.

! **DANGER** Never run the Tractor engine in a closed building or without adequate ventilation. The exhaust fumes can be hazardous to your health.

! **DANGER NEVER** use drugs or alcohol immediately before or while operating the Tractor and Implement.

Drugs and alcohol will affect an operator's alertness and coordination and therefore affect the operator's ability to operate the equipment safely. Before operating the Tractor or Implement, an operator on prescription or over-the-counter medication must consult a medical professional regarding any side effects of the medication that would hinder their ability to operate the Equipment safely. NEVER knowingly allow anyone to operate this equipment when their alertness or coordination is impaired. Serious injury or death to the operator or others could result if the operator is under the influence of drugs or alcohol.

⚠ DANGER Operate the Tractor and/or Implement controls only while properly seated in the Tractor seat with the seat belt securely fastened around you. Inadvertent movement of the Tractor or Implement may cause serious injury or death.

⚠ WARNING be particularly careful when transporting the Implement with the Tractor. Turn curves or go up hills only at a low speed and using a gradual steering angle. Rear mounted implements move the center of gravity to the rear and remove weight from the front wheels. Make certain, by adding front ballast that at least 20% of the tractor's weight is on the front wheels to prevent

Rearing up, loss of steering control or Tractor tip-over. Slow down on rough or uneven surfaces to prevent loss of steering control which could result in property damage or possible injury. Do not transport unless 3-Point lift lever is fully raised and in the latched transport position. Dropping implement in transport can cause serious damage to the tractor and/or Implement and possibly cause the operator or others to be injured or killed.

4 MAINTENANCE

Proper servicing and adjustments are key to the long life of any implement. With careful inspection and routine maintenance, you can avoid costly downtime and repair.

Check all bolts after using the unit for several hours to be sure they are tight. Replace any worn, damaged or illegible safety labels by obtaining new labels from your FIELDKING USA dealer.

The parts on your Box Scraper have been specially designed and should only be replaced with genuine FIELDKING USA parts. Do not alter the scraper in a way which will adversely affect its performance.

5. INSTRUCTION FOR DRIVER

Hazard control and accident prevention are dependent upon the awareness, concern, prudence and proper training involved in the operation, transport, storage, and maintenance of the Box Scraper. Therefore, it is absolutely essential that no one operates the Box Scraper without first having read, fully understood, and become totally familiar with the Operator's Manual.

Transporting

When traveling on public roads, use accessory lights, SMV sign, clean reflectors and other adequate devices to warn operators in other vehicles of your presence. Always comply with all federal, state, and local laws.

1. Be sure to reduce tractor ground speed when turning; and leave enough clearance so the Box Scraper does not contact obstacles such as buildings, trees, or fences.

2. Select a safe ground travel speed when transporting from one area to another.
3. When traveling on roadways, transport in such a way that faster moving vehicles may pass you safely.
4. When traveling over rough or hilly terrain, shift tractor to a lower gear.

General Operating Instructions

1. Once you have familiarized yourself with the Operator's Manual, completed the operations checklist, and properly attached your FIELDKING USA Fixed Bar Box Scraper to your tractor, you are now almost ready to begin work. Fixed Bar Box Scrapers are ideal for ripping, leveling, finish grading, and backfilling applications at feedlots, outdoor arenas, building sites, and maintenance operations on farm and ranch lanes or roadways.
2. Hopefully you have checked out your work site for any buried utility cables, pipelines, or other obstacles that you wouldn't want to damage or encounter.
3. A Box Scraper's primary purpose is grading and leveling. This function is best done at an approximate 2 to 4mph ground speed. With the ripper shanks raised all the way up, simply lower the Box Scraper to the ground and proceed forward. The grader blade should immediately begin shaving the soil surface and dirt or aggregate material should begin accumulating in the box. You can transfer this material by dragging it to a nearby location and then raising the Box Scraper to deposit your load. You can also achieve uniform distribution and leveling of scraped material by setting the Box Scraper to shave off high spots allowing accumulated material to flow out under the grader blade in the low spots. Occasionally the ground or surface material will be very hard and will require ripping to loosen the soil profile in order for the Box Scraper blade to be effective. If more aggressive ripping action is desired, lower the shanks by 2" increments at a time. If less aggressive ripping action is desired, raise all of the shanks. Achieving the desired effect will require a little experimentation and experience in your given conditions. Box Scrapers generally perform better in dry to slightly damp soil conditions.
4. Your FIELDKING USA Box Scraper can also be used for backfilling applications. Simply lower your Box Scraper and back the standard rear facing grader blade into the pile of dirt you are using for backfill. Continue backfilling and pushing operations until you have successfully completed the task.
5. With a little practice you should become a very good operator and consistently achieve the desired results you expect with your FIELDKING USA Box Scraper.

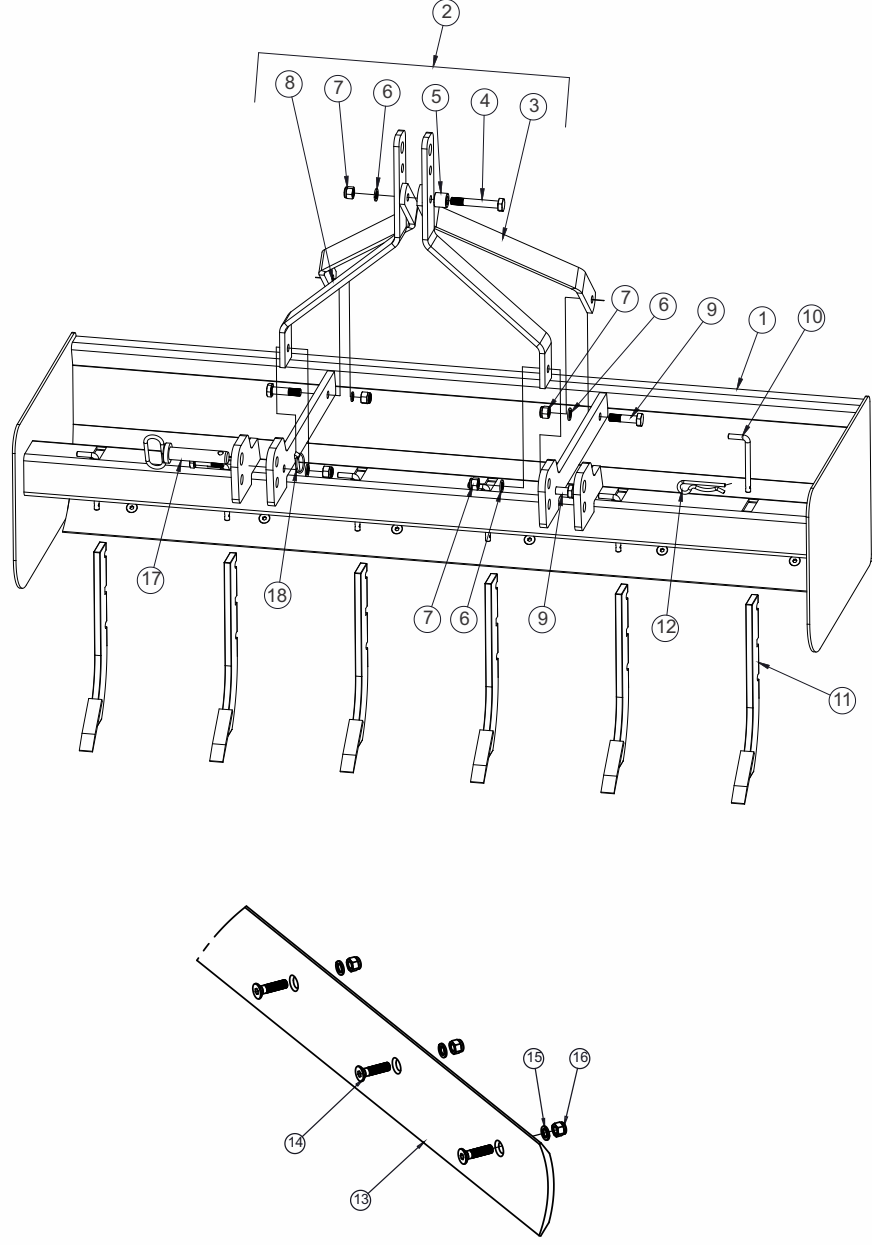
Owner Assistance

The Online Warranty Registration should be completed by the dealer at the time of purchase. This information is necessary to provide you with quality customer service.

The parts on your Box Scraper have been specially designed by FIELDKING USA and should only be replaced with genuine FIELDKING USA parts. Contact a FIELDKING USA dealer if customer service or repair parts are required. Your FIELDKING USA dealer has trained personnel, repair parts and equipment needed to service the implement.

BOX BLADE SCRAPPER PART LIST

Sr. No.	DESCRIPTION	Item Code			Qty		
		4-Feet	5-Feet	6-Feet	4-Feet	5-Feet	6-Feet
1	BUCKET ASSEMBLY	79980013	79980021	79980007			1
2	3 POINT LINKAGE ASSEMBLY		79990004				1
3	REAR LEVER FLAT		79990002				2
4	HEX HEAD BOLT 16X105X2MM		10260134				1
5	LEVER BUSH 17X32X29 MM (L)		10070005				1
6	SPRING WASHER 16MM		10270005				5
7	NYLOCK NUT M16X2MM		10280005				5
8	FRONT LEVER FLAT		79990001				2
9	HEX HEAD BOLT 16X65X2MM		10260378				4
10	L PIN ROUND FOR BOX BLADE TYNE		10020136				4
11	SCRAPPER TYNE		1050021				4
12	R-PIN 3MM		10020143				4
13	SCRAPER BLADE	79980017	79980012	78480001			2
14	CSK BOLT M16X40MM		10260039				8
15	SPRING WASHER 16MM		10270005				8
16	NYLOCK NUT M16X2MM		10280005				8
17	TILLER PIN 28X145MM WITH HANDLE		10020047				2
18	LINCH PIN 10MM		10020022				2



DELIVERY CHECKLIST

Dealer Pre-Delivery (Please Tick)	Please Complete all Dealer information Below
<p>1. Dealer Pre-Delivery Checklist</p> <ol style="list-style-type: none"> 1. The customer or person responsible has been given the operator's manual. 2. The customer undertakes to read the complete operator's manual and understands all aspects of the manual before operation of the machine. 3. All safety, operational and maintenance information have been explained and demonstrated. 4. All greasing and oil points, stickers, guarding and ID plate have been identified and physically pointed out. 5. The customer agrees that it is his responsibility to read and carry out the safety, maintenance and operation as per this operator's manual. 	<p>Dealer Information</p> <p>Dealer's Name.....</p> <p>Address.....</p> <p>State..... Postcode.....</p> <p>Phone..... Fax.....</p> <p>Email.....</p> <p>Service Person.....</p> <p>I confirm that the pre-delivery service was performed on this machine.</p> <p>Signature.....</p> <p>Date.....</p> <p>Comments.....</p>
Customer Delivery (Please Tick)	Please Complete all Customer Information Below
<p>2. Customer Delivery Checklist</p> <ol style="list-style-type: none"> 1. The customer or person responsible has been given the operator's manual. 2. The customer undertakes to read the complete operator's manual and understands all aspects of the manual before operation of the machine. 3. All safety, operational and maintenance information have been explained and demonstrated. 4. All greasing and oil points, stickers, guarding and ID plate have been identified and physically pointed out. 5. The customer agrees that it is his responsibility to read and carry out the safety, maintenance and operation as per this operator's manual. 	<p>Customer Information</p> <p>Customer's Name.....</p> <p>Address.....</p> <p>State..... Postcode.....</p> <p>Phone..... Fax.....</p> <p>Email.....</p> <p>Delivery Person.....</p> <p>I confirm that all of the delivery checks were explained and performed.</p> <p>Signature.....</p> <p>Delivery Date.....</p> <p>Comments.....</p>



WARRANTY CARD Customer Copy

CUSTOMER NAME Mr./ Mrs : _____

ADDRESS : _____

MOBILE NO. : _____

Email : _____

NAME OF IMPLEMENT : _____

MODEL NO. : _____

YEAR OF Mfg. : _____

SERIAL NO. : _____

REGISTRATION NO. : _____

DATE OF PURCHASING : _____

NAME OF DEALER : _____

Customer's Signature

Dealer's Signature

FIELDKING USA, INC.

960 Holmdel Road Suite 2-02, Holmdel, NJ 07733, USA

✉ usa@fieldking.com, www.fieldkingusa.com



WARRANTY CARD
Dealer Copy

CUSTOMER NAME Mr./ Mrs :

ADDRESS :

MOBILE NO. :

Email :

NAME OF IMPLEMENT :

MODEL NO. :

YEAR OF Mfg. :

SERIAL NO. :

REGISTRATION NO. :

DATE OF PURCHASING :

NAME OF DEALER :

Customer's Signature

Dealer's Signature

FIELDKING USA, INC.

960 Holmdel Road Suite 2-02, Holmdel, NJ 07733, USA

✉ usa@fieldking.com, 🌐 www.fieldkingusa.com



WARRANTY CARD
Company Copy

CUSTOMER NAME Mr./ Mrs :

ADDRESS :

MOBILE NO. :

Email :

NAME OF IMPLEMENT :

MODEL NO. :

YEAR OF Mfg. :

SERIAL NO. :

REGISTRATION NO. :

DATE OF PURCHASING :

NAME OF DEALER :

Customer's Signature

Dealer's Signature

FIELDKING USA, INC.

960 Holmdel Road Suite 2-02, Holmdel, NJ 07733, USA

✉ usa@fieldking.com, 🌐 www.fieldkingusa.com